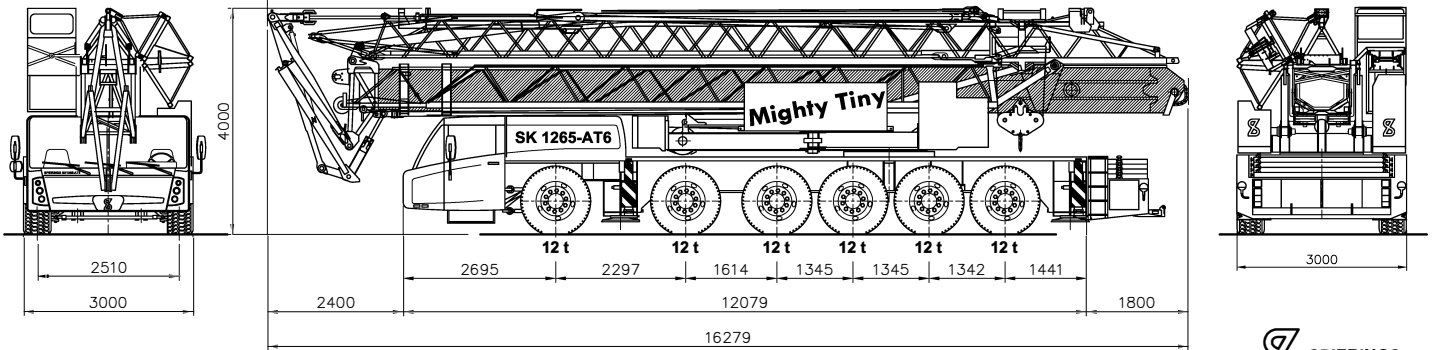
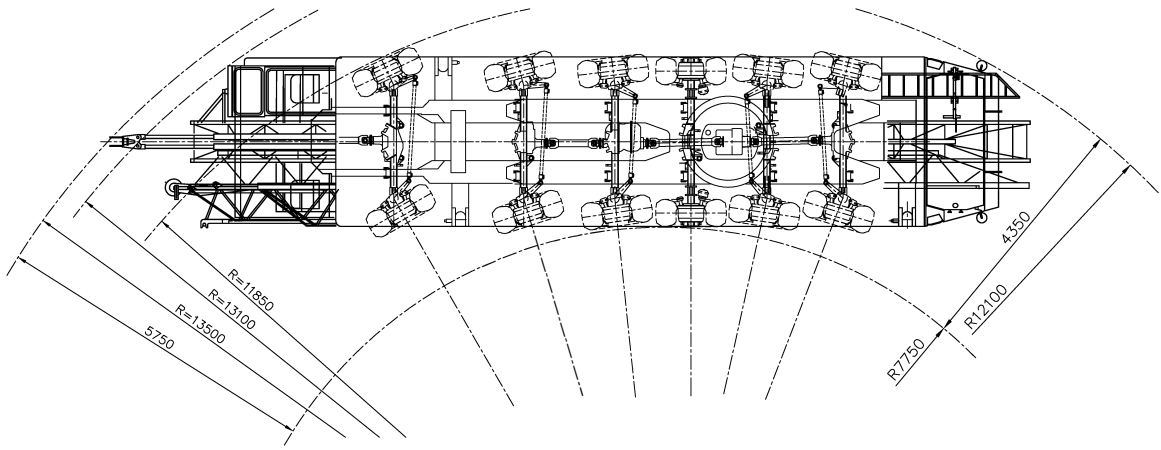


	<b>Make: SPIERINGS      Type: SK1265-AT6</b>																																																																																																															
	<b>Crane specification      (Jib length 60 m)</b>																																																																																																															
Serial number <input type="text"/>  Year of construction <input type="text"/>	Crane group : A3 as per FEM 1.001 Loadspectrum : Q1 as per FEM 1.001 Classification : U4 as per FEM 1.001 Stability : as per FEM 1.001	Max. load  <b>10,0 tonne</b>	Max.radius with max. load  <b>13,2 m</b>	Max. capacity  <b>132 tm</b>	Max. jib length  <b>60 m</b>																																																																																																											
<b>Speeds</b> Jib horizontal / jib 30° luffed	All motions with hydraulic proportional controls. Luffing the jib 30° can be controlled from crane cab or by remote control. Crane can be driven in its erected position under special conditions (refer user guide).	Continuous slewing of the crane (360°) with the outriggers out and support pads down. The crane should be folded in at wind force 9 (Bf) (21 m/sec) or when not in use for a longer period. Operating temperature range from -15°C till +40°C	Counterweight Crane : 12600 kg. Rated lifting capacity is net capacity. Max. line pull force : 2500 kg. 2 parts of line : 5000 kg - 1700 kg 4 parts of line : 10000 kg - 5000 kg Sail area of the load max.: 1,0 m <sup>2</sup> / ton.	Outriggers positioned according to lifting chart Outrigger support base : 7,95 x 7,66 m. Operation allowed up to wind force 7 (14 m/s). Outrigger support base : 7,95 x 5,72 m. Operation allowed up to wind force 7 (14 m/s). Max. outrigger force: 520 kN.																																																																																																												
<table border="1"> <tr> <th>m/min</th> <th>kg</th> <th>Diagram</th> <th>Speed</th> </tr> <tr> <td>15</td> <td>10000</td> <td></td> <td>0 - 70 m/min</td> </tr> <tr> <td>30</td> <td>5000</td> <td></td> <td>0-0,7 r/min</td> </tr> <tr> <td>45</td> <td>2500</td> <td></td> <td></td> </tr> <tr> <td>75</td> <td>0</td> <td></td> <td></td> </tr> </table>	m/min	kg	Diagram	Speed	15	10000		0 - 70 m/min	30	5000		0-0,7 r/min	45	2500			75	0			<b>Lifting chart      Outrigger support base : 7,95 m x 7,66 m</b>																																																																																											
m/min	kg	Diagram	Speed																																																																																																													
15	10000		0 - 70 m/min																																																																																																													
30	5000		0-0,7 r/min																																																																																																													
45	2500																																																																																																															
75	0																																																																																																															
<table border="1"> <tr> <th colspan="2">Jib horizontal</th> <th colspan="2">hook height 25,2 / 35 m (height under the jib 27,4 / 37,2 m)</th> <th colspan="2"></th> </tr> <tr> <td>3,5</td> <td>13,2</td> <td>15</td> <td>20</td> <td>25</td> <td>30</td> <td>35</td> <td>40</td> <td>45</td> <td>50</td> <td>55</td> <td>60</td> <td>Radius (m)</td> </tr> <tr> <td>10000</td> <td>9335</td> <td>7985</td> <td>6965</td> <td>6170</td> <td>5530</td> <td>5000</td> <td>4560</td> <td>4190</td> <td>3870</td> <td>3590</td> <td>3350</td> <td>3130</td> <td>2940</td> <td>2770</td> <td>2615</td> <td>2475</td> <td>2345</td> <td>2230</td> <td>2125</td> <td>2025</td> <td>1935</td> <td>1850</td> <td>1775</td> <td>1700</td> <td>Load (kg)</td> </tr> <tr> <td>36</td> <td>Jib 30° luffed</td> <td>46,2</td> <td>48,5</td> <td>51,35</td> <td>54,25</td> <td>57,15</td> <td>60</td> <td>62,9</td> <td>64,2</td> <td colspan="3">Hookheight (m)</td> <td></td> </tr> <tr> <td>3,5</td> <td></td> <td>21</td> <td>25</td> <td>30</td> <td>35</td> <td>40</td> <td>45</td> <td>50</td> <td>52,2</td> <td colspan="3">Radius (m)</td> <td></td> </tr> <tr> <td>5000</td> <td></td> <td>4740</td> <td>4285</td> <td>3905</td> <td>3580</td> <td>3305</td> <td>3065</td> <td>2855</td> <td>2665</td> <td>2500</td> <td>2350</td> <td>2220</td> <td>2095</td> <td>1985</td> <td>1885</td> <td>1795</td> <td>1700</td> <td colspan="5">Load (m)</td> </tr> </table>						Jib horizontal		hook height 25,2 / 35 m (height under the jib 27,4 / 37,2 m)				3,5	13,2	15	20	25	30	35	40	45	50	55	60	Radius (m)	10000	9335	7985	6965	6170	5530	5000	4560	4190	3870	3590	3350	3130	2940	2770	2615	2475	2345	2230	2125	2025	1935	1850	1775	1700	Load (kg)	36	Jib 30° luffed	46,2	48,5	51,35	54,25	57,15	60	62,9	64,2	Hookheight (m)				3,5		21	25	30	35	40	45	50	52,2	Radius (m)				5000		4740	4285	3905	3580	3305	3065	2855	2665	2500	2350	2220	2095	1985	1885	1795	1700	Load (m)															
Jib horizontal		hook height 25,2 / 35 m (height under the jib 27,4 / 37,2 m)																																																																																																														
3,5	13,2	15	20	25	30	35	40	45	50	55	60	Radius (m)																																																																																																				
10000	9335	7985	6965	6170	5530	5000	4560	4190	3870	3590	3350	3130	2940	2770	2615	2475	2345	2230	2125	2025	1935	1850	1775	1700	Load (kg)																																																																																							
36	Jib 30° luffed	46,2	48,5	51,35	54,25	57,15	60	62,9	64,2	Hookheight (m)																																																																																																						
3,5		21	25	30	35	40	45	50	52,2	Radius (m)																																																																																																						
5000		4740	4285	3905	3580	3305	3065	2855	2665	2500	2350	2220	2095	1985	1885	1795	1700	Load (m)																																																																																														
<b>Lifting chart      Outrigger support base : 7,95 m x 5,72 m</b>																																																																																																																
<table border="1"> <tr> <th colspan="2">Jib horizontal</th> <th colspan="2">hook height 25,2 / 35 m (height under the jib 27,4 / 37,2 m)</th> <th colspan="2"></th> </tr> <tr> <td>3,5</td> <td>8,1</td> <td>10</td> <td>15</td> <td>20</td> <td>25</td> <td>30</td> <td>35</td> <td>40</td> <td>45</td> <td>50</td> <td>55</td> <td>60</td> <td>Radius (m)</td> </tr> <tr> <td>10000</td> <td>10000</td> <td>7685</td> <td>6695</td> <td>5085</td> <td>4325</td> <td>3755</td> <td>3305</td> <td>2945</td> <td>2650</td> <td>2405</td> <td>2195</td> <td>2015</td> <td>1860</td> <td>1725</td> <td>1605</td> <td>1495</td> <td>1400</td> <td>1315</td> <td>1235</td> <td>1165</td> <td>1100</td> <td>1040</td> <td>985</td> <td>930</td> <td>885</td> <td>840</td> <td>800</td> <td>Load (kg)</td> </tr> <tr> <td>36</td> <td>Jib 30° luffed</td> <td>41,3</td> <td>42,7</td> <td>45,6</td> <td>48,5</td> <td>51,35</td> <td>54,25</td> <td>57,15</td> <td>60</td> <td>62,9</td> <td>64,2</td> <td colspan="3">Hookheight (m)</td> <td></td> </tr> <tr> <td>3,5</td> <td></td> <td>12,5</td> <td>15</td> <td>20</td> <td>25</td> <td>30</td> <td>35</td> <td>40</td> <td>45</td> <td>50</td> <td>52,2</td> <td colspan="3">Radius (m)</td> <td></td> </tr> <tr> <td>5000</td> <td></td> <td>5000</td> <td>4355</td> <td>3700</td> <td>3205</td> <td>2815</td> <td>2505</td> <td>2250</td> <td>2035</td> <td>1855</td> <td>1700</td> <td>1565</td> <td>1445</td> <td>1340</td> <td>1250</td> <td>1165</td> <td>1090</td> <td>1025</td> <td>960</td> <td>905</td> <td>850</td> <td>800</td> <td colspan="3">Load (m)</td> </tr> </table>						Jib horizontal		hook height 25,2 / 35 m (height under the jib 27,4 / 37,2 m)				3,5	8,1	10	15	20	25	30	35	40	45	50	55	60	Radius (m)	10000	10000	7685	6695	5085	4325	3755	3305	2945	2650	2405	2195	2015	1860	1725	1605	1495	1400	1315	1235	1165	1100	1040	985	930	885	840	800	Load (kg)	36	Jib 30° luffed	41,3	42,7	45,6	48,5	51,35	54,25	57,15	60	62,9	64,2	Hookheight (m)				3,5		12,5	15	20	25	30	35	40	45	50	52,2	Radius (m)				5000		5000	4355	3700	3205	2815	2505	2250	2035	1855	1700	1565	1445	1340	1250	1165	1090	1025	960	905	850	800	Load (m)		
Jib horizontal		hook height 25,2 / 35 m (height under the jib 27,4 / 37,2 m)																																																																																																														
3,5	8,1	10	15	20	25	30	35	40	45	50	55	60	Radius (m)																																																																																																			
10000	10000	7685	6695	5085	4325	3755	3305	2945	2650	2405	2195	2015	1860	1725	1605	1495	1400	1315	1235	1165	1100	1040	985	930	885	840	800	Load (kg)																																																																																				
36	Jib 30° luffed	41,3	42,7	45,6	48,5	51,35	54,25	57,15	60	62,9	64,2	Hookheight (m)																																																																																																				
3,5		12,5	15	20	25	30	35	40	45	50	52,2	Radius (m)																																																																																																				
5000		5000	4355	3700	3205	2815	2505	2250	2035	1855	1700	1565	1445	1340	1250	1165	1090	1025	960	905	850	800	Load (m)																																																																																									
changes subject to modifications																																																																																																																
<b>121-00126122</b>																																																																																																																

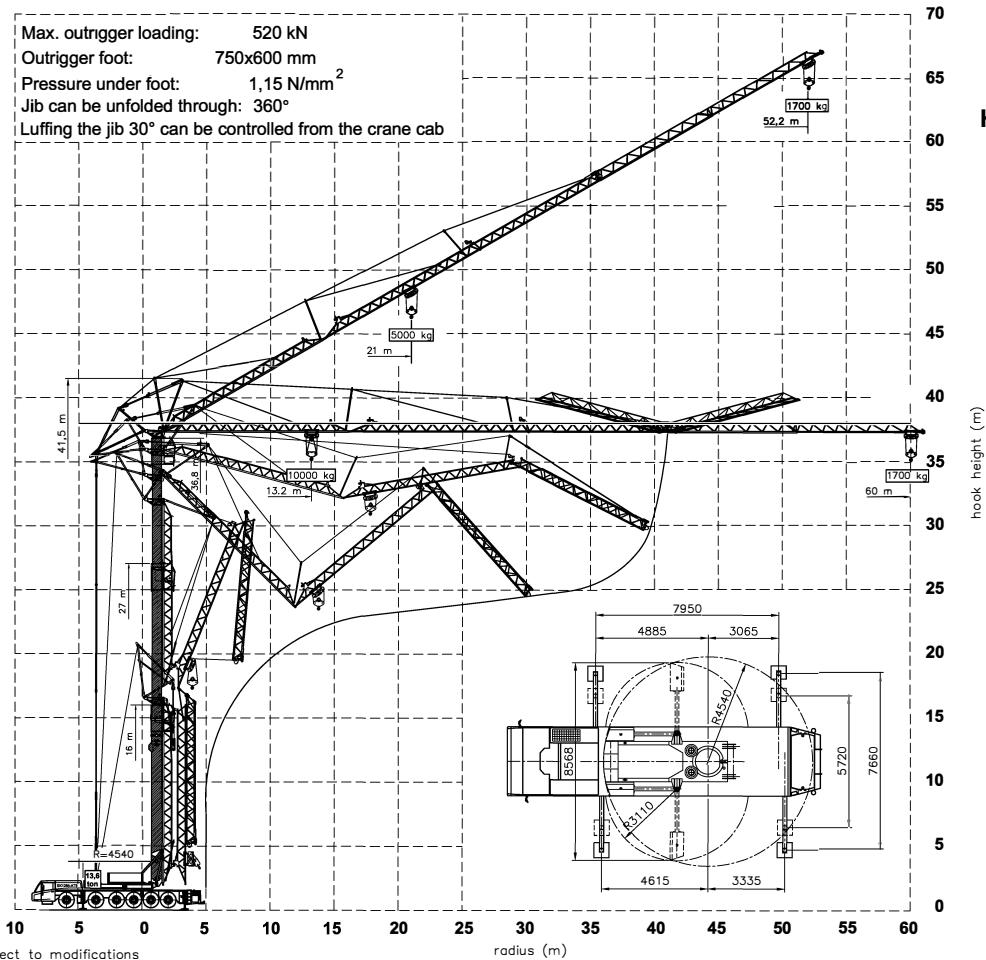


**SPIERINGS HYDRAULIC FOLDING CRANE  
SK 1265 - AT6**

Total weight: 72000 kg  
Changes subject to modifications

**SPIERINGS  
KRANEN**  
Merwedestraat 15  
5347 KZ Oss NL  
Tel. +31 (0)412-626964  
Fax +31 (0)412-645299

Max. outrigger loading: 520 kN  
 Outrigger foot: 750x600 mm  
 Pressure under foot: 1,15 N/mm<sup>2</sup>  
 Jib can be unfolded through: 360°  
 Luffing the jib 30° can be controlled from the crane cab



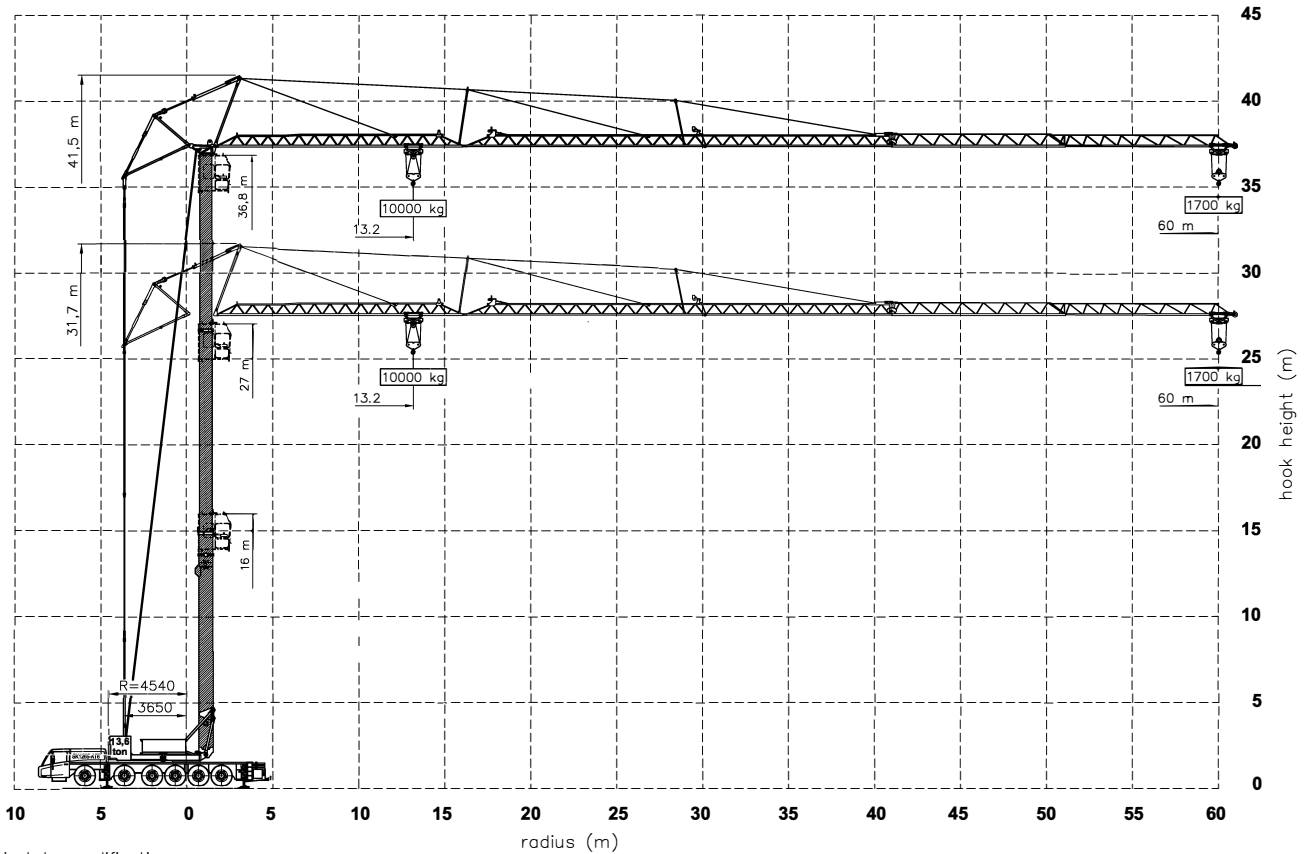
**SPIERINGS**  
**HYDRAULIC FOLDING CRANE**  
**SK1265-AT6**



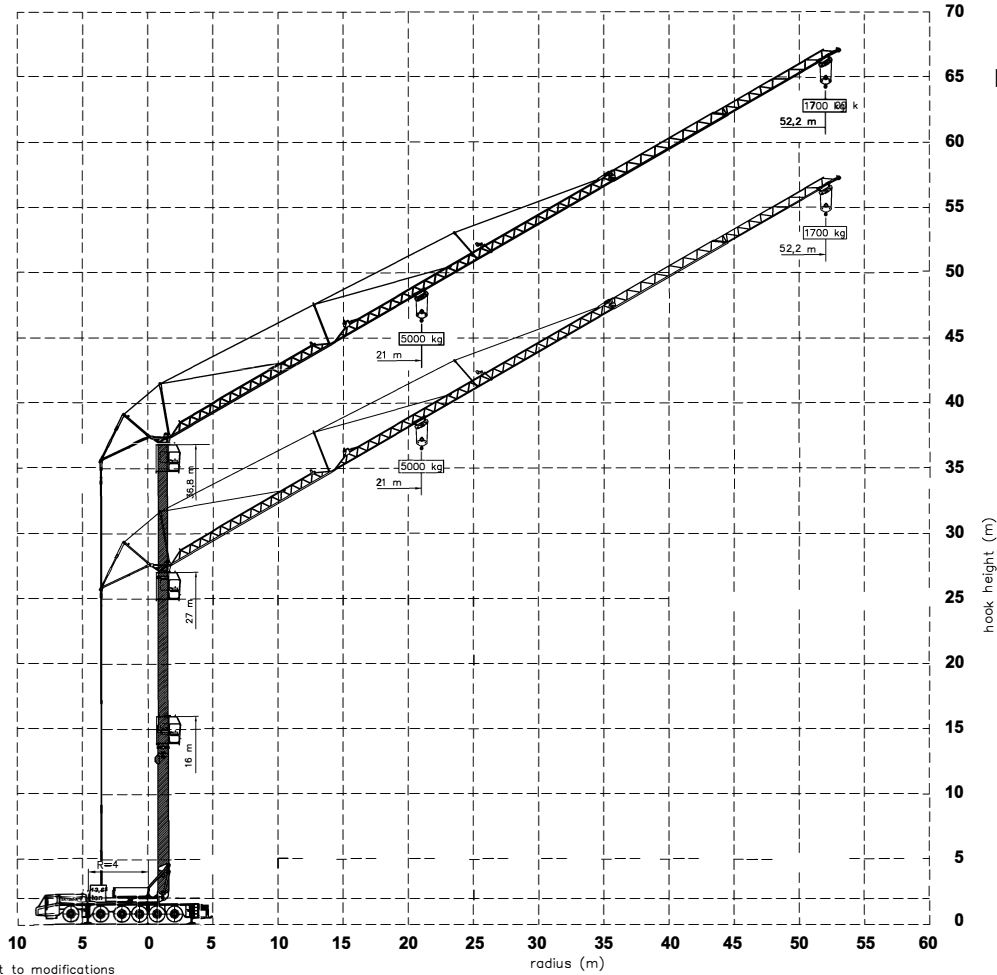
Merwedestraat 15  
 5347 KZ Oss NL  
 Tel. +31 (0)412-626964  
 Fax +31 (0)412-645299

Changes subject to modifications

**SPIERINGS  
HYDRAULIC FOLDING CRANE  
SK1265-AT6**



Changes subject to modifications




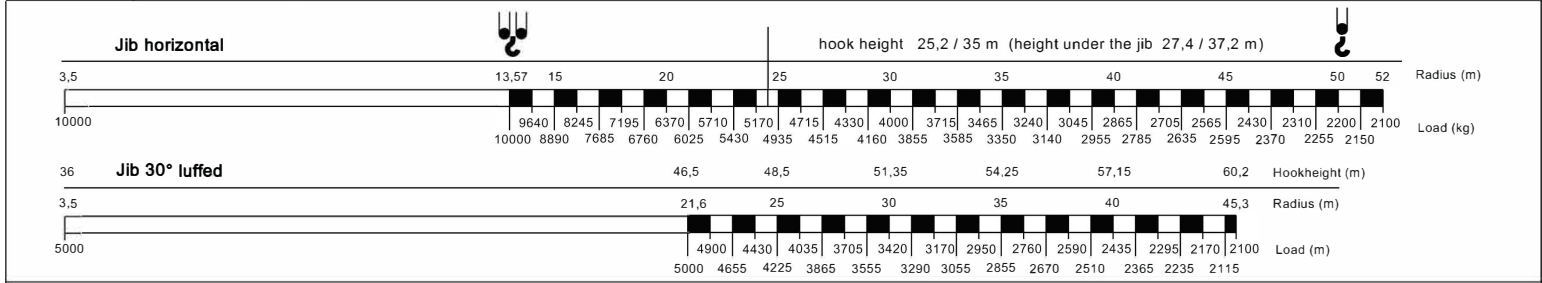
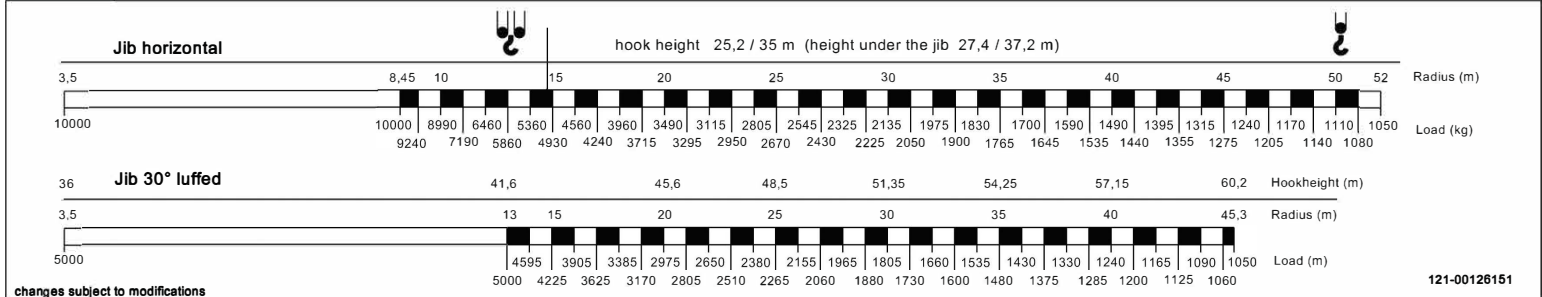
**SPIERINGS  
HYDRAULIC FOLDING CRANE  
SK1265-AT6**



Merwedestraat 15  
5347 KZ Oss NL  
Tel. +31 (0)412-626964  
Fax +31 (0)412-645299

Changes subject to modifications

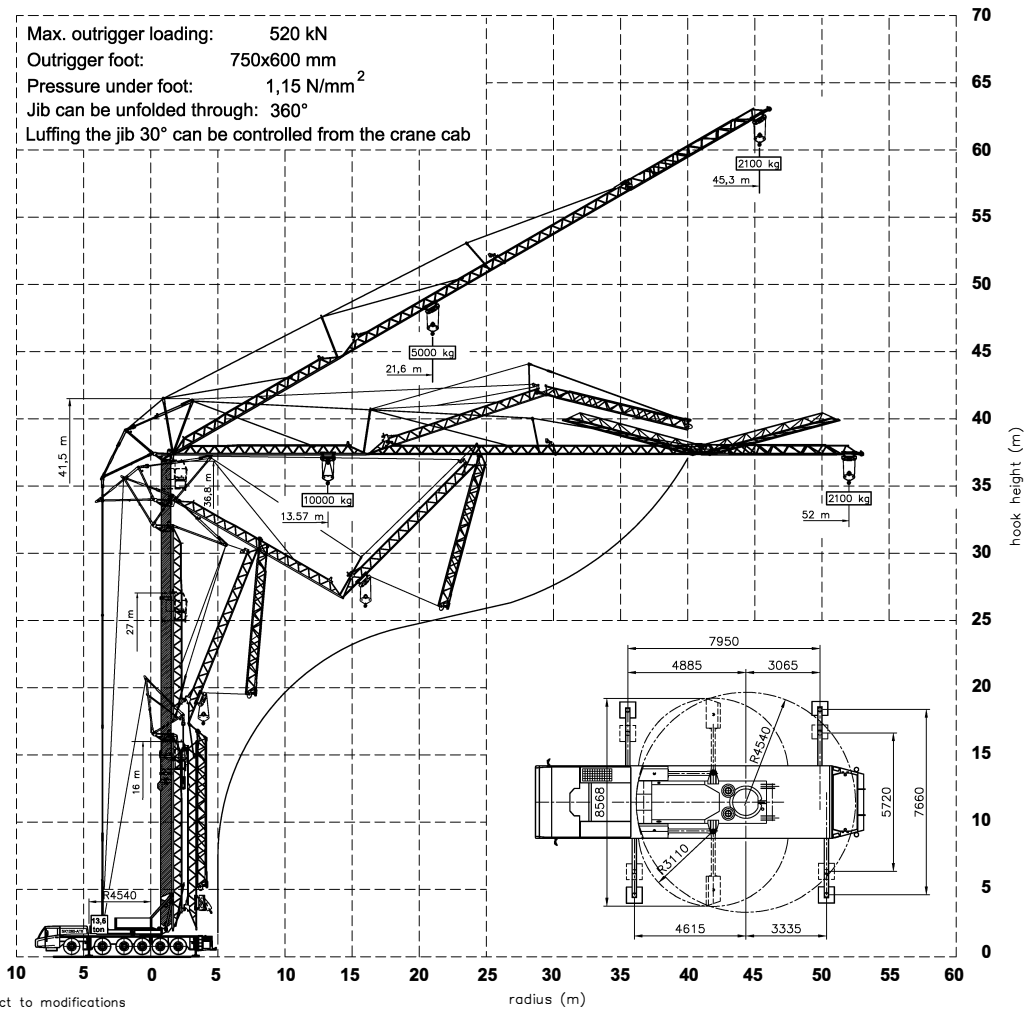
 <b>SPIERINGS CRANES</b>	<b>Make: SPIERINGS</b>		<b>Type: SK1265-AT6</b>		
	<b>Crane specification (Jib length 52 m)</b>				
Serial number <input type="text"/>  Year of construction <input type="text"/>	Crane group : A3 as per FEM 1.001 Loadspectrum : Q1 as per FEM 1.001 Classification : U4 as per FEM 1.001 Stability : as per FEM 1.001	<b>Max. load</b>  <b>10,0 tonne</b>	<b>Max.radius with max. load</b>  <b>13,57 m</b>	<b>Max. capacity</b>  <b>135 tm</b>	<b>Max. jib length</b>  <b>52 m</b>
<b>Speeds</b> Jib horizontal / jib 30° luffed	All motions with hydraulic proportional controls. Luffing the jib 30° can be controlled from crane cab or by remote control. Crane can be driven in its erected position under special conditions (refer user guide).	Continuous slewing of the crane (360°) with the outriggers out and support pads down. The crane should be folded in at wind force 9 (Bf) (21 m/sec) or when not in use for a longer period. Operating temperature range from -15°C till +40°C	Counterweight Crane : 12600 kg. Rated lifting capacity is net capacity. Max. line pull force : 2500 kg. 2 parts of line : 5000 kg - 1700 kg 4 parts of line : 10000 kg - 5000 kg Sail area of the load max.: 1,0 m²/ ton.	Outriggers positioned according to lifting chart Outrigger support base : 7,95 x 7,66 m. Operation allowed up to wind force 7 (14 m/s). Outrigger support base : 7,95 x 5,72 m. Operation allowed up to wind force 7 (14 m/s). Max. outrigger force: 520 kN.	

**Lifting chart**
**Outrigger support base : 7,95 m x 7,66 m**

**Lifting chart**
**Outrigger support base : 7,95 m x 5,72 m**


changes subject to modifications

121-00126151

Max. outrigger loading: 520 kN  
 Outrigger foot: 750x600 mm  
 Pressure under foot: 1,15 N/mm<sup>2</sup>  
 Jib can be unfolded through: 360°  
 Luffing the jib 30° can be controlled from the crane cab



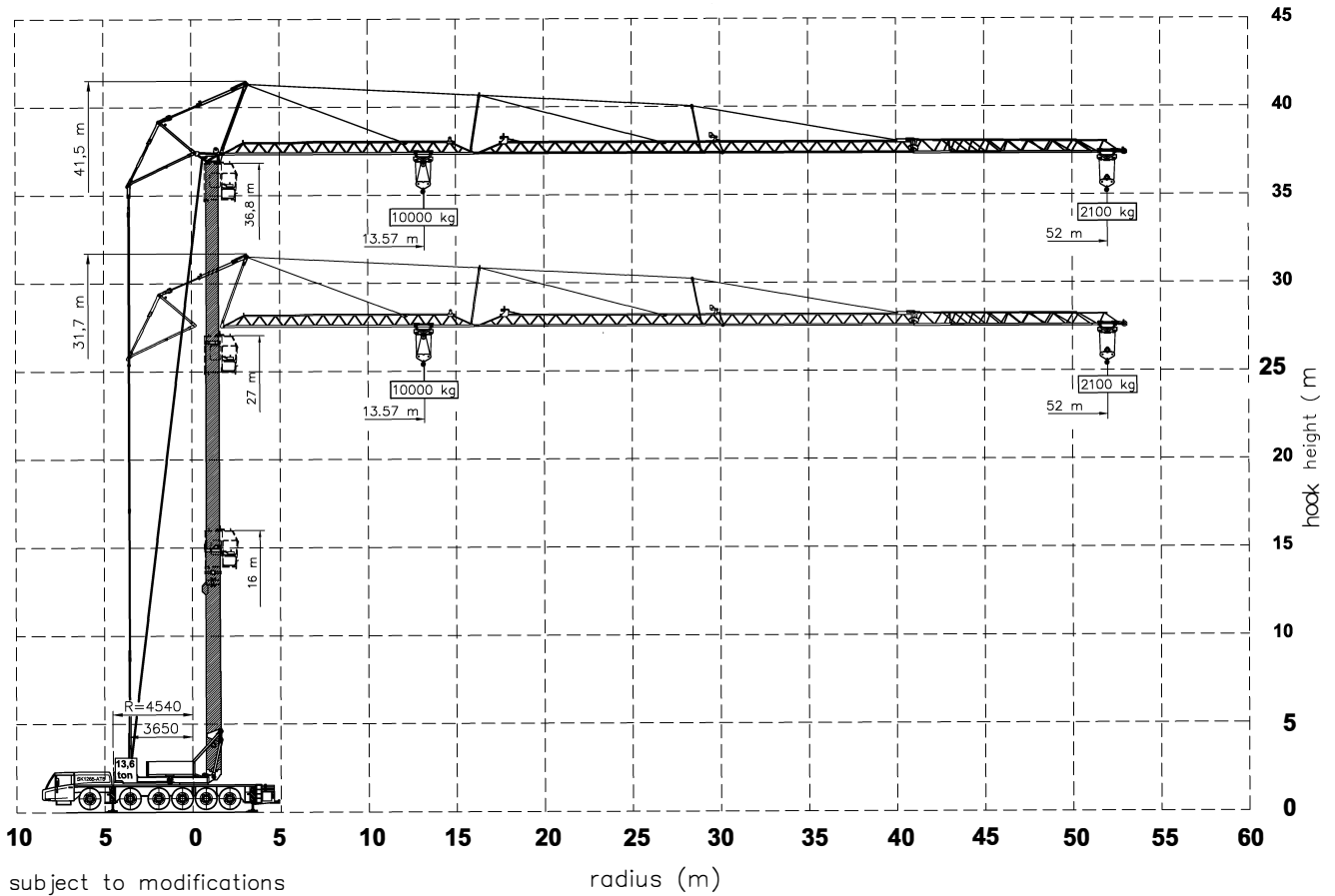
**SPIERINGS**  
**HYDRAULIC FOLDING CRANE**  
**SK1265-AT6**



Merwedestraat 15  
 5347 KZ Oss NL  
 Tel. +31 (0)412-626964  
 Fax +31 (0)412-645299

Changes subject to modifications

**SPIERINGS SK1265-AT6  
HYDRAULIC FOLDING CRANE**



Changes subject to modifications



